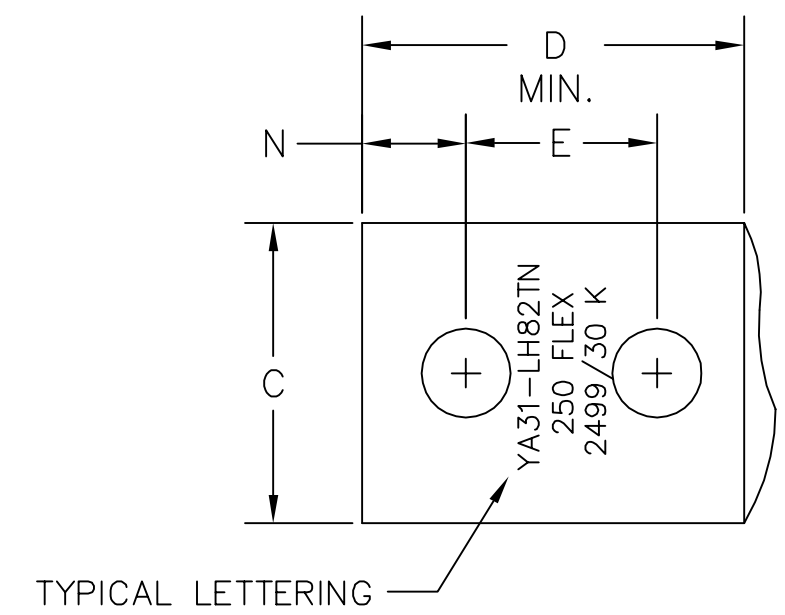
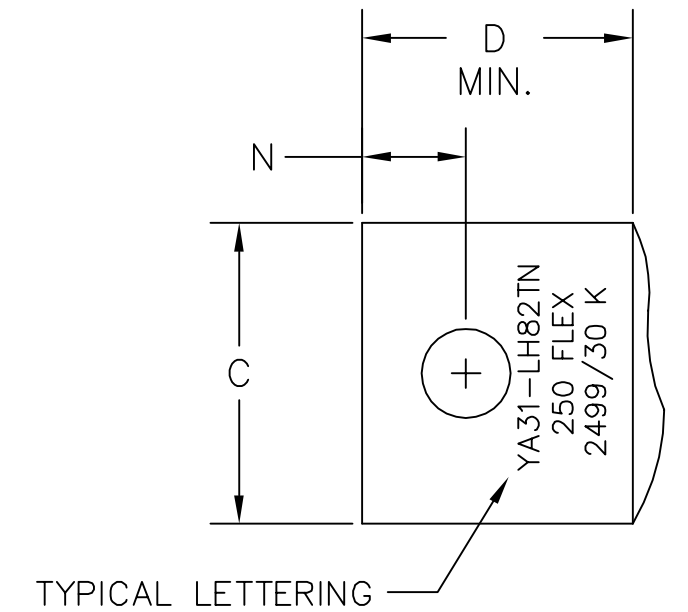
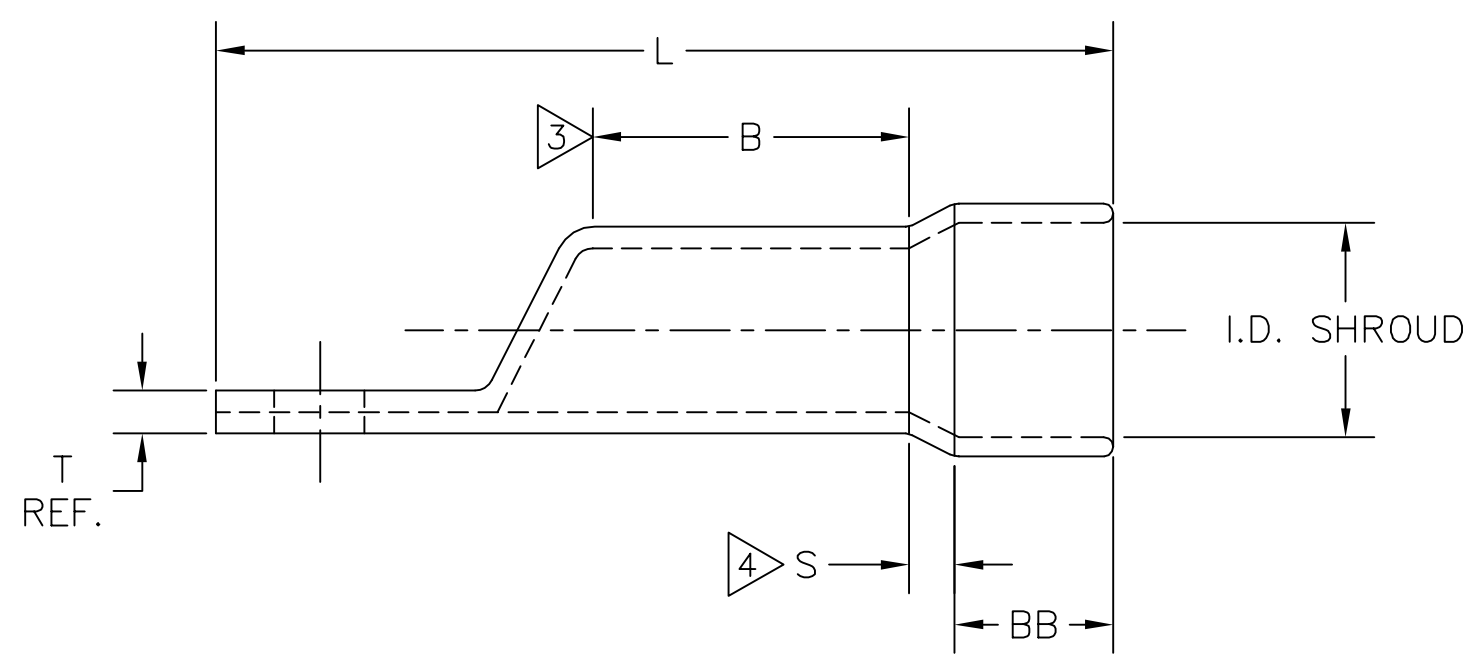
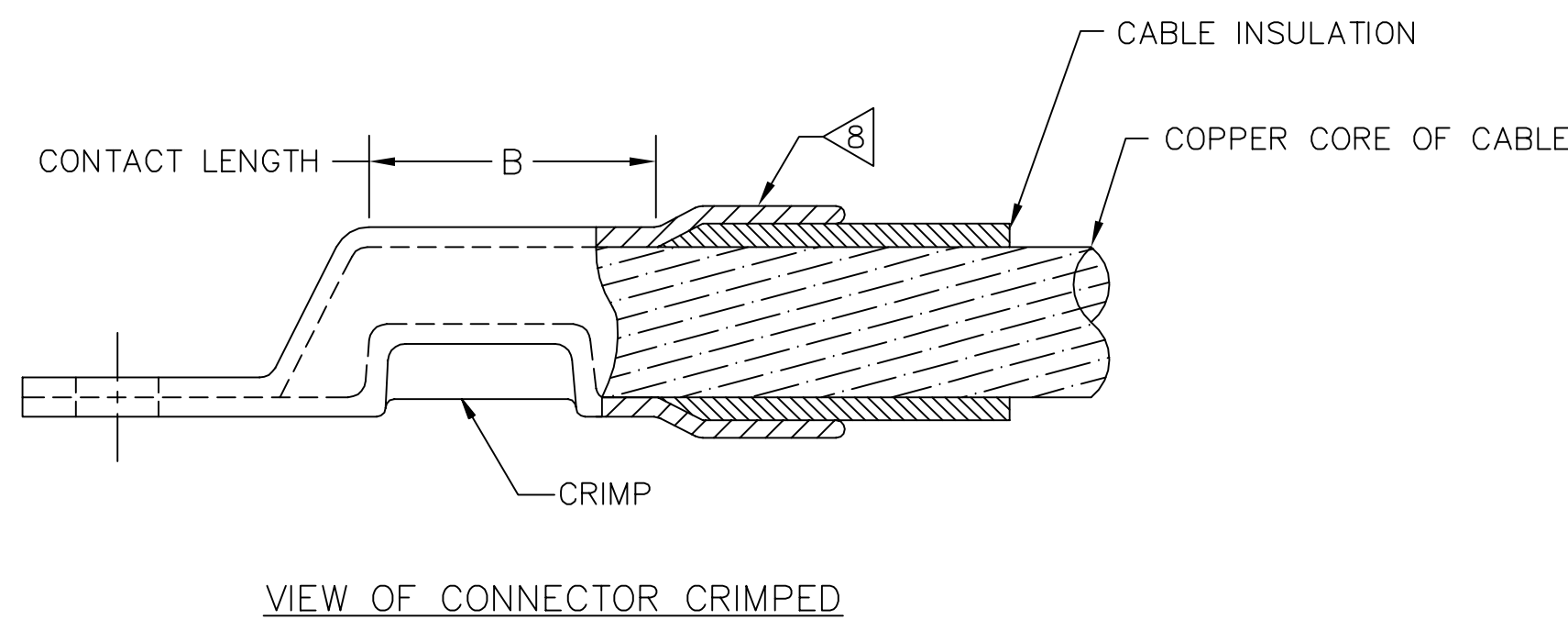


DRAWING NO.  
SD206996

CATALOG NUMBER	CABLE SIZE CLASS K		FIG. NO.	STUD SIZE	DIMENSIONS										DIE INDEX	INSTALLATION DATA					
	SIZE	STRANDING			B	BB	C	D MIN.	E	SHROUD I.D.	L	N	T REF.	S		Y35	Y39	Y45	Y46	Y750	NO. OF CRIMPS
					3	4	5	6	7												
YA31LH82TN	250	2499/30	1	5/16	1.13 [29]	1.00 [25]	1.29 [33]	1.04 [26]	--	.95 [24]	4.11 [104]	.53 [13]	.18 [5]	.25 [6]	1025	U31D-1	Y34PR-2	1			
YA31LH83TN	250	2499/30	1	1/2	1.13 [29]	1.00 [25]	1.29 [33]	1.04 [26]	--	.95 [24]	4.11 [104]	.53 [13]	.18 [5]	.25 [6]	1025	U31D-1	Y34PR-2	1			
YA312LH93TN	250	2499/30	2	1/2	1.13 [29]	1.00 [25]	1.29 [33]	2.82 [72]	1.75 [44]	.95 [24]	6.00 [152]	.53 [13]	.18 [5]	.25 [6]	1025	U31D-1	Y34PR-2	1			
YA34LH97TN	350	3458/30	1	5/16	1.57 [40]	1.00 [25]	1.52 [39]	1.04 [26]	--	1.11 [28]	4.60 [117]	.53 [13]	.23 [6]	.26 [7]	1027	U34D-1	Y34PR-2	1			
YA34LH98TN	350	3458/30	1	1/2	1.57 [40]	1.00 [25]	1.52 [39]	1.04 [26]	--	1.11 [28]	4.60 [117]	.53 [13]	.23 [6]	.26 [7]	1027	U34D-1	Y34PR-2	1			
YA342LH119TN	350	3458/30	2	1/2	1.57 [40]	1.00 [25]	1.52 [39]	2.82 [72]	1.75 [44]	1.11 [28]	6.50 [165]	.53 [13]	.23 [6]	.26 [7]	1027	U34D-1	Y34PR-2	1			
YA39LH93TN	500	5054/30	1	5/16	1.88 [48]	1.00 [25]	1.89 [48]	1.04 [26]	--	1.35 [34]	5.14 [131]	.53 [13]	.27 [7]	.34 [9]	1030	P39D 9	P48PR-1 9	1			
YA39LH94TN	500	5054/30	1	1/2	1.88 [48]	1.00 [25]	1.89 [48]	1.04 [26]	--	1.35 [34]	5.14 [131]	.53 [13]	.27 [7]	.34 [9]	1030	P39D 9	P48PR-1 9	1			
YA392LH95TN	500	5054/30	2	1/2	1.88 [48]	1.00 [25]	1.90 [48]	2.82 [72]	1.75 [44]	1.35 [34]	6.97 [177]	.53 [13]	.27 [7]	.34 [9]	1030	P39D	P48PR-1	1			

REV.	DATE	DESCRIPTION	ECO	BY	C'K'D.
F	11/06/17	FORMAT CHANGE	47985	JP	MB



NOTES:

1. MATERIAL: COPPER
2. FINISH: TIN-PLATED
- 3 STRIP INSULATION FROM CABLE FOR DISTANCE "B" (SEE TABLE)
- 4 SCARF INSULATION FROM CABLE FOR DISTANCE "S" (SEE TABLE)
- 5 CATALOG NUMBER Y35P3 ADAPTOR IS REQUIRED TO USE Y34PR TYPE INDENTORS WITH 'U' TYPE NEST DIES IN Y35 & Y750 SERIES TOOLS.
- 6 CATALOG NUMBER PT6515 ADAPTOR IS REQUIRED TO USE 'U' TYPE DIES IN Y45 SERIES TOOLS.
- 7 CATALOG NUMBER PUADP-1 ADAPTOR IS REQUIRED TO USE 'U' TYPE DIES IN Y46 SERIES TOOLS.
- 8 SHROUD NOT CRIMPED.
- 9 P39D NEST & P48PR-1 INDENTOR FOR Y46 HYPRESS™ ONLY.
- 10 DIMENSIONS IN BRACKETS [ ] ARE IN MILLIMETERS ROUNDED OFF TO THE NEAREST MILLIMETER, UNLESS OTHERWISE NOTED, AND ARE FOR REFERENCE ONLY.

TO ORDER BURNDY® PRODUCTS CALL  
 UNITED STATES:  
 1-800-346-4175 (LONDONDERRY, NH)  
 CANADA:  
 1-800-361-6975 (QUEBEC)  
 1-800-387-6487 (ALL OTHER PROVINCES)  
 FOR PRODUCT INFO: <http://www.burndy.com>

BATTERY TERMINAL, SHROUDED	
ITEM NO:	N/A
CAT NO:	YA- - - LH- -TN (TABLE)
SCALE:	1/1
DRAWN BY:	D DOBRINSKI 5/1/91
CHECKER:	K HENRY 5/28/91
DSN APPVL:	R MACDONALD 5/18/91
MFG APPVL:	S HOLLOWAY 5/28/91
QC APPVL:	A LLOYD 5/13/91
MKT APPVL:	G.S.G. 5/28/91
PROD FAM:	--
PROJECT #:	--
DOCUMENT TYPE:	Sales
REL LEVEL:	Released
DRAWING NO	SE206996
REV	F
SHEET 2 OF 2	

